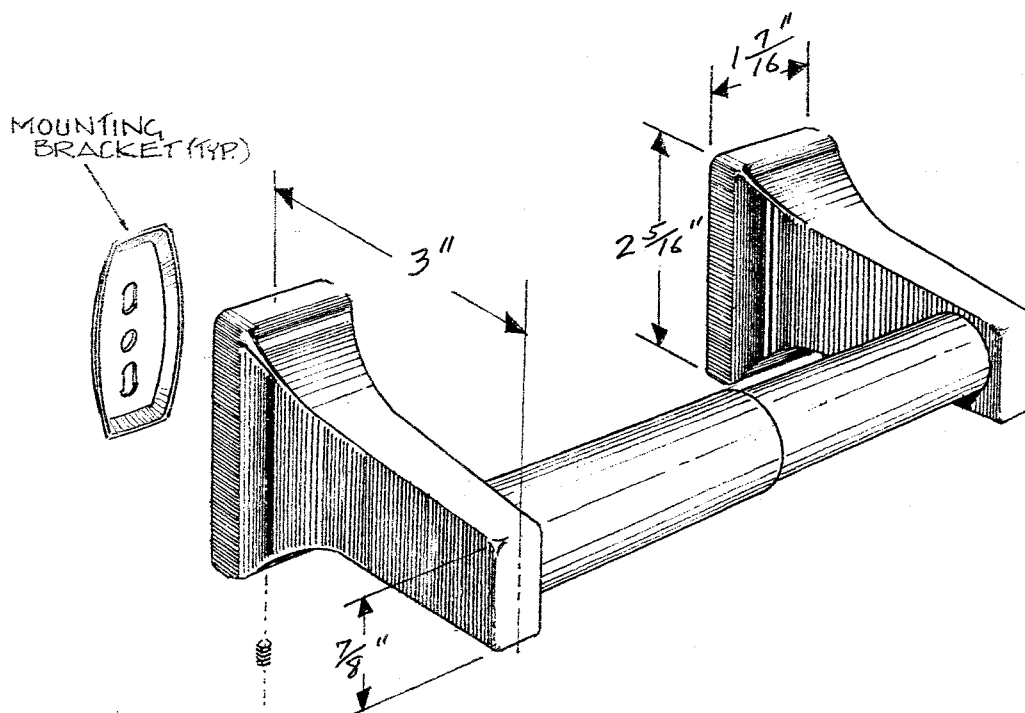


TOILET PAPER HOLDER



CONSTRUCTION:

Brackets are 3/4" chrome plated zinc die-cast (zamak) designed for concealed screw mounting. Roller is white plastic on 712. Roller is chrome plastic on 711.

INSTALLATION:

Secure metal wall plates to studs or solid backing with mounting screws provided. Slip brackets over wall plates and tighten set screws until secure.

SPECIFICATION:

Toilet paper holder shall be model 712 (plastic roller) or 711 (chrome plastic roller) by CWECO, Inc.